

Building Robust Networks for Mission-critical Process Automation



Featured Products



EDS-G4012 Series Industrial Managed Switches

- Compact and flexible housing design to fit into confined spaces
- 12 GbE ports with 4 2.5GbE port options
- IEC 62443-4-2 certified



OnCell G4302-LTE4 Series Industrial LTE Cat. 4 Secure Cellular Routers

- Serial/Ethernet-to-cellular flexibility
- Firewall, NAT, and IPsec VPN for secure connections
- WAN redundancy between Ethernet and cellular



MDS-G4012 Series Industrial Modular Managed Switches

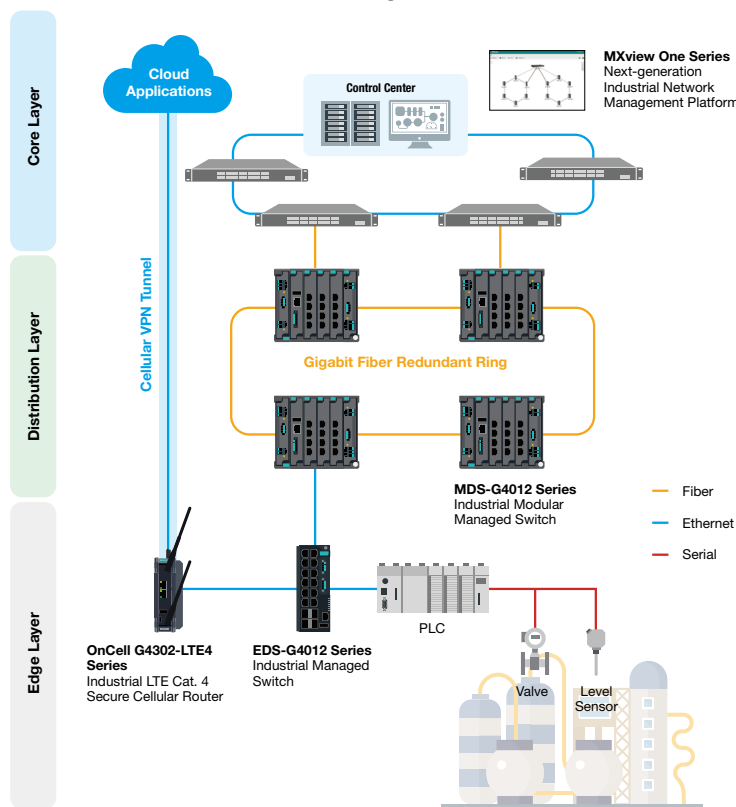
- Up to 8 GbE ports plus 4 embedded GbE ports
- Wide variety of 4-port interface module types for greater flexibility
- Millisecond-level network redundancy



MXview One Series Next-generation Industrial Network Management Platform

- Visualize the network topology and status
- Real-time alert notifications to minimize downtime
- Easily manage and configure network devices remotely

Oil refineries are one of the mission-critical applications that rely on precise process automation and 24/7 operations. Maximizing operational uptime requires a reliable network infrastructure that can accommodate a great number of connected field devices and enables real-time monitoring at the control center.



System Requirements

- Highly reliable and flexible Ethernet network communications
- Cellular connectivity to easily connect field devices at the remote sites
- Secure network access for critical device and data protection

Why Moxa



Reliability & Performance

- Gigabit devices with robust redundancy technology for resilient, high-bandwidth networks



OT Network Security

- Secure network access with access control list (ACL) functionality
- Secure VPN connections through cellular networks for remote access



Simplified Management

- Simplified network management with intuitive visualization software