

# Strengthening Network Resilience to Integrate Industrial Machinery



## Featured Products

### NAT-102 Series Industrial NAT Devices

- Compact size for space-constrained environments
- Hassle-free network access control
- User-friendly NAT functionality



### EDS-2005-EL Series Industrial Unmanaged Switches

- Compact size for space-constrained environments
- Industrial-grade design with high EMC resistance
- QoS to prioritize critical data



### EDS-G4014 Series Industrial Managed Switches

- 8 GbE ports and 6 2.5GbE fiber ports
- Compact and flexible housing design to fit into confined spaces
- Millisecond-level network redundancy
- IEC 62443-4-2 certified

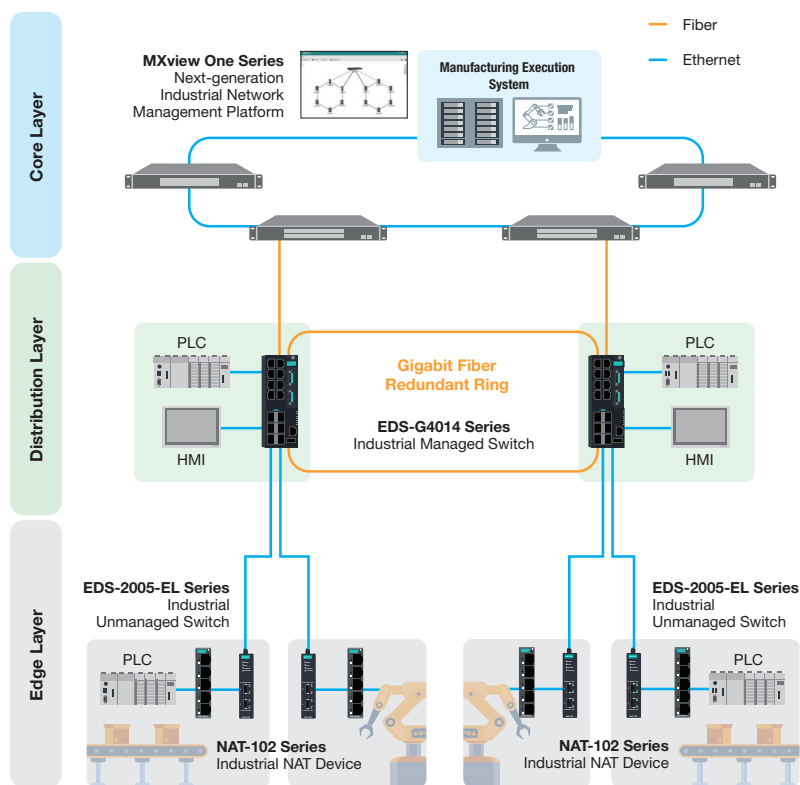


### MXview One Series Next-generation Industrial Network Management Platform

- Visualize the network topology and status
- Real-time alert notifications to minimize downtime
- Easily manage and configure network devices remotely



Today, machine cabinets house more and more connected devices so operators can receive field data to optimize on-site operational efficiency and perform predictive maintenance. Futureproof networking solutions are key to building the network infrastructure necessary for transmitting this data smoothly and reliably.



## System Requirements

- Compact devices for installation inside cabinets
- Network recovery mechanisms to ensure system uptime
- Network segmentation to isolate and protect each cabinet against cyberthreats
- Real-time monitoring of the plant network status and events

## Why Moxa

### Reliability & Performance

- Compact size and industrial-grade design for cabinet installation
- Gigabit bandwidth with fast millisecond-level network redundancy

### OT Network Security

- User-friendly NAT functionality enhances field network security and simplifies network integration

### Simplified Management

- Simplified network management with intuitive visualization software

# Optimizing Network Efficiency for Facility Monitoring and Control Systems (FMCS)



## Featured Products



### SDS-3016 Series Industrial Smart Switches

- 14 Fast Ethernet ports and 2 GbE ports
- Supports EtherNet/IP, PROFINET, and Modbus TCP industrial protocols for easy integration
- Port diagnostics to detect and prevent issues



### EDR-G9010 Series Industrial Secure Routers

- 10-port Gigabit all-in-one firewall/NAT/VPN/router/switch
- Industrial intrusion prevention system (IPS) for threat defense
- Millisecond-level L2/L3 network redundancy



### EDS-G4012 Series Industrial Managed Switches

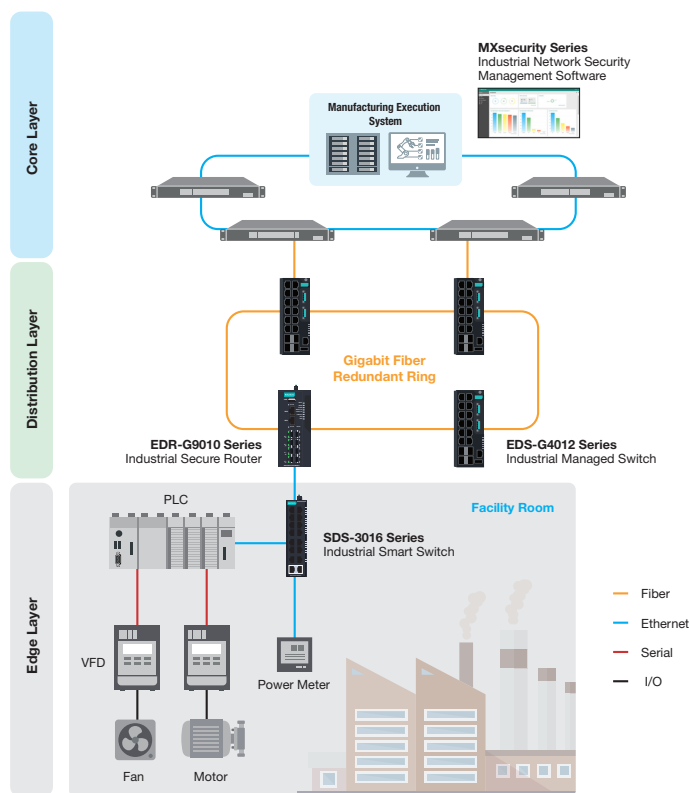
- 12 GbE ports with 4 2.5GbE port options
- Millisecond-level network redundancy
- IEC 62443-4-2 certified



### MXsecurity Series Industrial Network Security Management Software

- Centralized management and monitoring of security assets
- Automatically collects security logs and sends notifications based on policies

Enhancing energy efficiency has become a key mission for factory operators. To achieve this goal, a secure and efficient network for the facility monitoring and control system (FMCS) is crucial to enable operators to receive field data at the control center and optimize energy usage in real time.



## System Requirements

- Support for industrial protocols for automation control and data acquisition
- High bandwidth to reliably transmit field site data to the control center
- Network segmentation and threat defense to protect critical facility assets

## Why Moxa

### Reliability & Performance

- Supports industrial protocols to allow easy SCADA integration
- Gigabit bandwidth with fast millisecond-level network redundancy

### OT Network Security

- Industrial firewall to segment and secure the facility network
- IPS functionality to prevent unwanted intrusion
- Data visualization widget for enhanced visibility of malicious activity and threats

### Simplified Management

- Provides centralized visibility and security management to easily monitor and identify cyberthreats